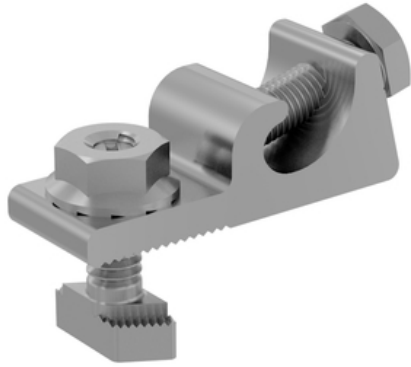


XR-LUG-03-A1 : Ironridge XR Series Grounding Lug



Price: CAD \$14.99

SKU: IRXR-LUG-03-A1

Product Categories: [Ironridge](#), [Mounts](#), [Rooftop Racking Systems](#), [Shop](#)

Product Tags: [canada](#), [ground lug](#), [grounding](#), [grounding lug](#), [ironridge](#), [ironridge XR-LUG-03-A1](#), [rails](#), [solar array](#), [xr](#), [XR-LUG-03-A1](#), [XR-LUG-03-A1 canada](#)

Product Page:

<https://www.modernoutpost.com/product/xr-lug-03-a1-ironridge-xr-series-grounding-lug/>

Product Summary

The XR-LUG-03-A1 Ironridge XR Series Grounding Lug. Low Profile, with 1/4" T-Bolt and nut, UFO series. With Ironridge, an entire row of PV modules is connected to the grounding conductor by a single Grounding Lug positioned on one of the rails.

Product Description

The XR-LUG-03-A1 Ironridge XR Series Grounding Lug. Low Profile, with 1/4" T-Bolt and nut, UFO series. With Ironridge, an entire row of PV modules is connected to the grounding conductor by a single Grounding Lug positioned on just one of the rails. This is because unlike many rooftop systems, Ironridge is certified as a bonded electrical pathway. No jumpers, bonding straps, or lugs for every rail - Ironridge makes it more elegant than that.

Not only does it look better, but it provides a higher level of performance.

XR-LUG-03-A1 Features Safety - All components were checked for structural integrity. Separate module grounding components are eliminated with the UL 2703 system.

- Works with all Ironridge XR Series rails for both roof mount and ground mount systems

Product Attributes

- Dimensions: 1 × 1 × 1 cm
- Weight: .1 kg