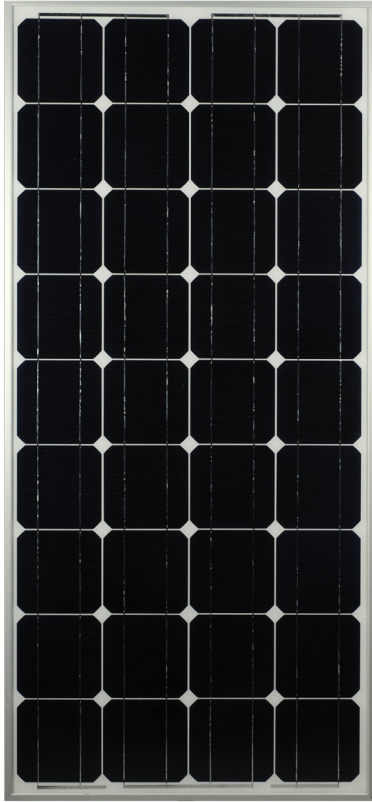




GP-PV-100M

SOLAR MODULE

HIGH-EFFICIENCY MONOCRYSTALLINE PANEL



GP-PV-100M SOLAR MODULE

RELIABLE

The GP-PV-100M Solar Module from Go Power! is a high-efficiency monocrystalline solar module that provides outstanding performance and cost-effective solar power for high-end off-grid and mobile applications. The Go Power! GP-PV-100M solar module is built to last and features a 25-year limited power output warranty.

DURABLE

To ensure long life, the high-efficiency solar cells are encapsulated between a special tempered, low-iron solar glass and a Tedlar®/polyester backing material. The mounting frame, manufactured from anodized marine-grade aluminum, allows the GP-PV-100M to be installed in extreme conditions.

FEATURES:

- Compact and rugged design
- Plug and play junction box
- Lightweight anodized aluminum frame
- High transmissivity tempered glass
- Industry standard quick-connect cables (MC4) work in series or in parallel
- 25 year limited power output warranty



The management system governing the manufacture of this product is ISO 90001:2008 certified.

IDEAL FOR:



INCLUDED IN

- RETREAT SOLAR KIT
- RETREAT EXPANSION SOLAR KIT



GP-PV-100M

SOLAR MODULE

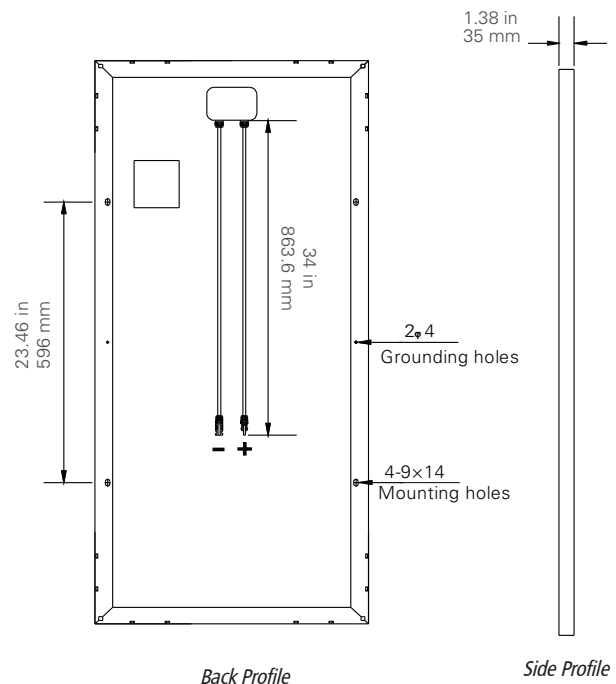
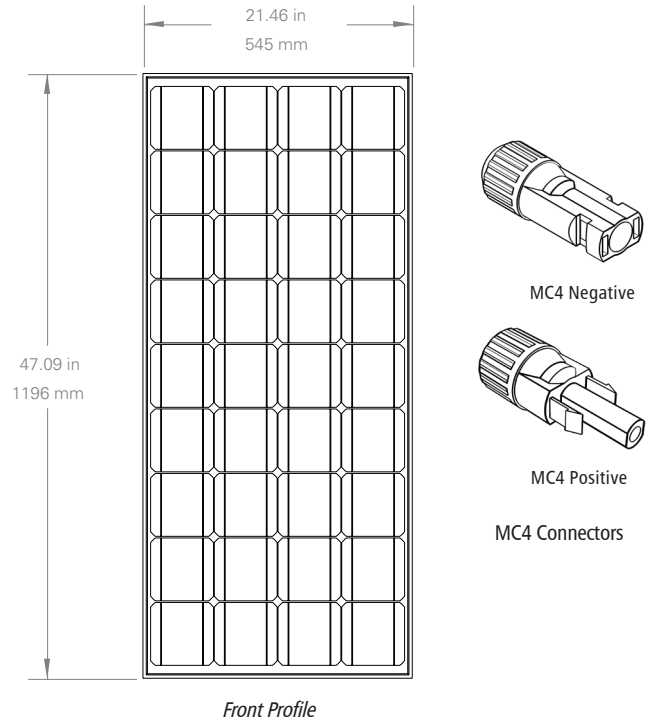
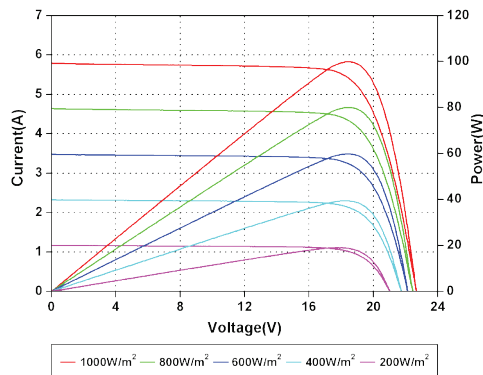
SPECIFICATIONS

Rated power (Pm)	100W
Maximum power voltage (Vmp)	18.4V
Maximum power current (Imp)	5.43A
Open circuit voltage (Voc)	22.6V
Short circuit current (Isc)	5.75A
Power coefficient	-0.43% / °C
Voltage coefficient	-0.33% / °C
Current coefficient	0.045% / °C
Max power tolerance	+/- 3%
Cell type	Monocrystalline
Module efficiency	15.34%
Series fuse rating	10A
Maximum system voltage	1000VDC
Weight	17.6 lb (8 kg)
Dimensions	47.09 x 21.46 x 1.38 in 1196 x 545 x 33 mm
Materials	Clear anodized aluminum frame; tempered glass
Warranty (Power Output)	25 Years

Power Specifications calculated at STC:

- Irradiance: 1000 W/m²
- Cell Temperature: 77 °F (25 °C)
- Air Mass: 1.5

IV CURVE PARAMETERS



Specifications subject to local environmental conditions.
Specifications may be subject to change.